

LIVING DISTRICT

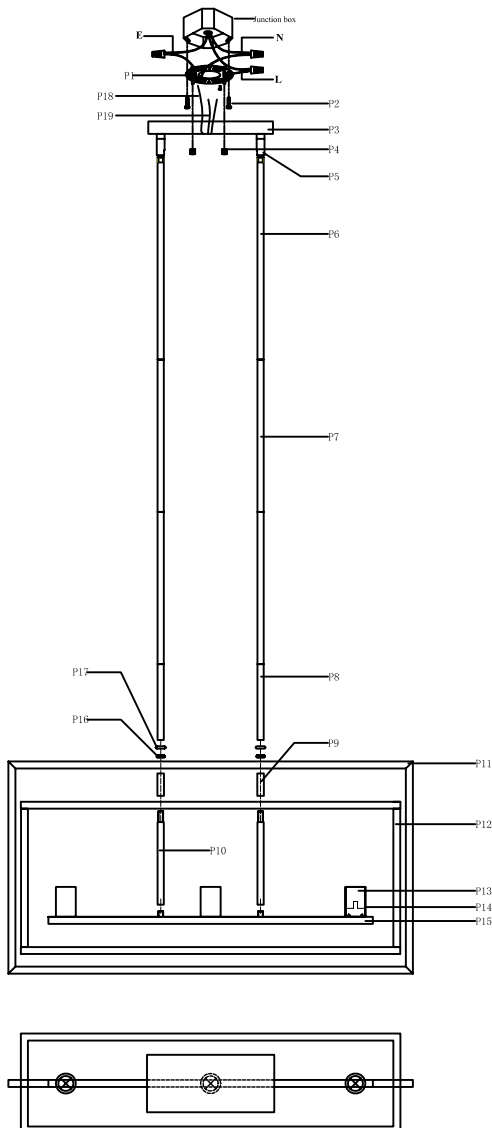
Collection: Voir

Installation manual for:

LD7056D32BK/BR L31.9" W7.9" H16.7" L3

Installation instructions:

1. Black wire from ceiling(junction box) attaches to "L"wire from the fixture.
 2. White wire from ceiling(junction box) attaches to "N"wire from the fixture.
 3. "E" wire from the fixture is attached to the mounting bracket and an additional "E" wire from the mounting bracket must be secured to the junction box.
 4. Secure mounting bracket to the junction box.
 5. Insert the mounting bracket screw(P2) into the mounting bracket (P1)
 6. Twist the 2 pcs internal thread tube(P10) onto lamp body (P15), connect (P12)、(P9)、(P11)、(P16) and (P17) onto (P10) in turn.
 7. Twist rod (P8)on the screw nut (P17),assemble other 3 rods, connect Universal head(P5) with the rod(P6)
 8. Use the nut(P4) to lock the lamp body to the mounting bracket (P1) on the ceiling.
 9. Install E26 light source.(Bulbs not supplied)
- The end!



"L" = Hot wire
 "N" = Neutral wire
 "E" = Ground wire

Part	Picture	Description	Qty	Check list
P1		mounting bracket Φ4.13"×H0.0.6"	1	
P2		Mounting bracket screw	2	
P3		L10"×W4.5"×H0.79"	1	
P4		Nut Φ0.39"×H0.39"	2	
P5		Universal head Φ0.59"×H2.24"	1	
P6		Rod (ROD3013) L15.7"×Φ0.49"	2	
P7		Rod (ROD3013) L11.8"×Φ0.49"	4	
P8		Rod (ROD3013) L5.9"×Φ0.49"	2	
P9		internal thread tube L1.8"×Φ0.49"	2	
P10		internal thread tube L10.9"×Φ0.49"	2	
P11		Frame L31.9"×H16.7"×W0.55"	1	
P12		lamp frame L29.9"×W7.9"×H12"	1	
P13		E26 holder	3	
P14		Cup Φ1.57"×H2.48"	3	
P15		lamp body L25.59"×W0.55"×H0.55"	1	
P16		Cover Φ79"×H0.2"	2	
P17		Screw Nut	2	
P18		UL18#Ground wire, L9.84"	1	
P19		UL18#, L6"	1	